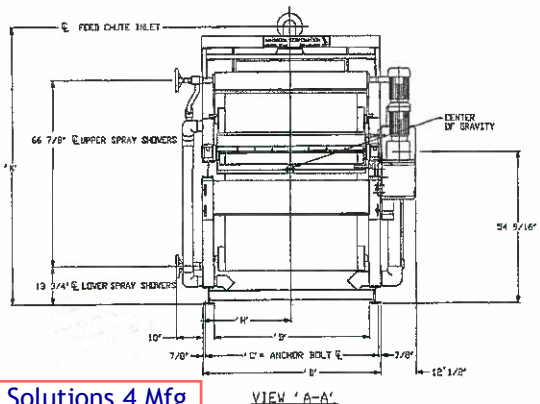
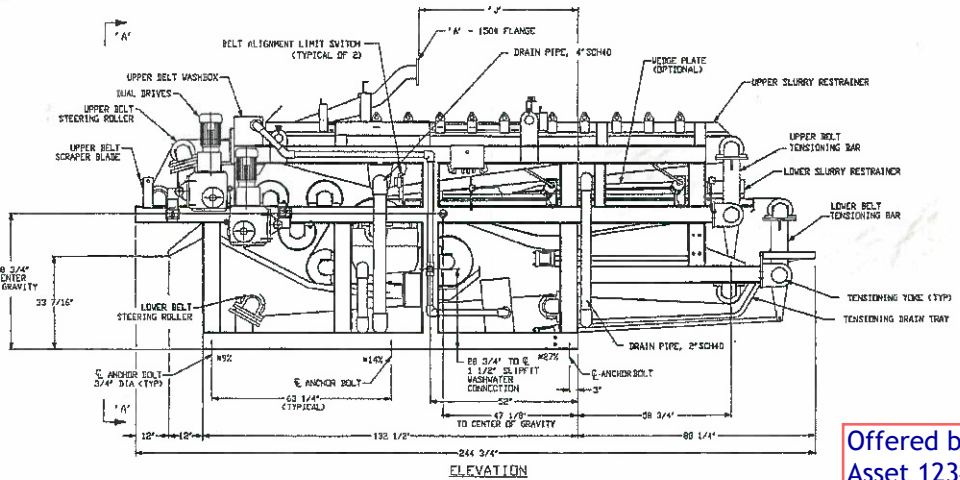


NUMBER OF CHICANES		APPROX. WT.	APPROX. COST
1 METER	5 ROWS OF 4 CHICANES 5 ROWS OF 5 CHICANES	45 55	46.75 37.25
1.5 METER	5 ROWS OF 5 CHICANES 5 ROWS OF 6 CHICANES	55 65	70.13 55.88
2 METER	5 ROWS OF 6 CHICANES 5 ROWS OF 8 CHICANES	85	93.50 74.50

TABULATED DIMENSIONS										
KP	'A'	'B'	'C'	'D'	'E'	'F'	'H'	'J'	'K'	SPMS INCHES
1 METER	4"	55 5/8"	61 7/8"	69 5/8"	39"	47 1/4"	31 13/16"	56 3/8"	98 13/16"	16, 600
1.5 METER	4"	75 7/8"	82 1/8"	89 7/8"	59 1/4"	67 1/2"	41 15/16"	56 3/8"	98 13/16"	20, 600
2 METER	6"	94 7/8"	101 1/4"	108 7/8"	79"	86 5/8"	51 7/8"	54 3/8"	99 13/16"	24, 300

- NOTE:
- 1.) MAIN FRAME LIFTING LUGS
  - 2.) ELECTRICAL PARTS ARE PRE-VERIFIED AND TERMINATED AT THE JUNCTION BOX
  - 3.) PRESS DEVICES ARE PRE-VERIFIED

(40) - PERCENT OF WEIGHT DISTRIBUTION



Offered by Solutions 4 Mfg  
Asset 1234

TOLERANCE UNLESS NOTED		REV	DATE	REVISION	BY	APP'D	DATE	DESCRIPTION	BY	APP'D
FRACTION	INCHES	MILLIMETERS	1							
	+/- 1/32	N/A	2	0/3				ADD TABULATION		
X.X	+/-0.100	+/-3.0	3	3/07				ADDED BELT SLIDE ASSEMBLIES		
XXX	+/-0.030	+/-1.0	4							
XXXX	+/-0.015	+/-0.6	5							
	+/-0.005	+/-0.1	6							

NOTE:  
1) DRAWER ALL SHARP EDGES  
2) MARK WITH PART NUMBER FOR WORK OR PURCHASE ORDER

ASHBROOK  
Simon-Hartley

Ashbrook Simon-Hartley Operations LP,  
11599 East Hardy Road Houston, Texas 77063  
Phone: 281-440-0228  
Fax: 281-440-1324

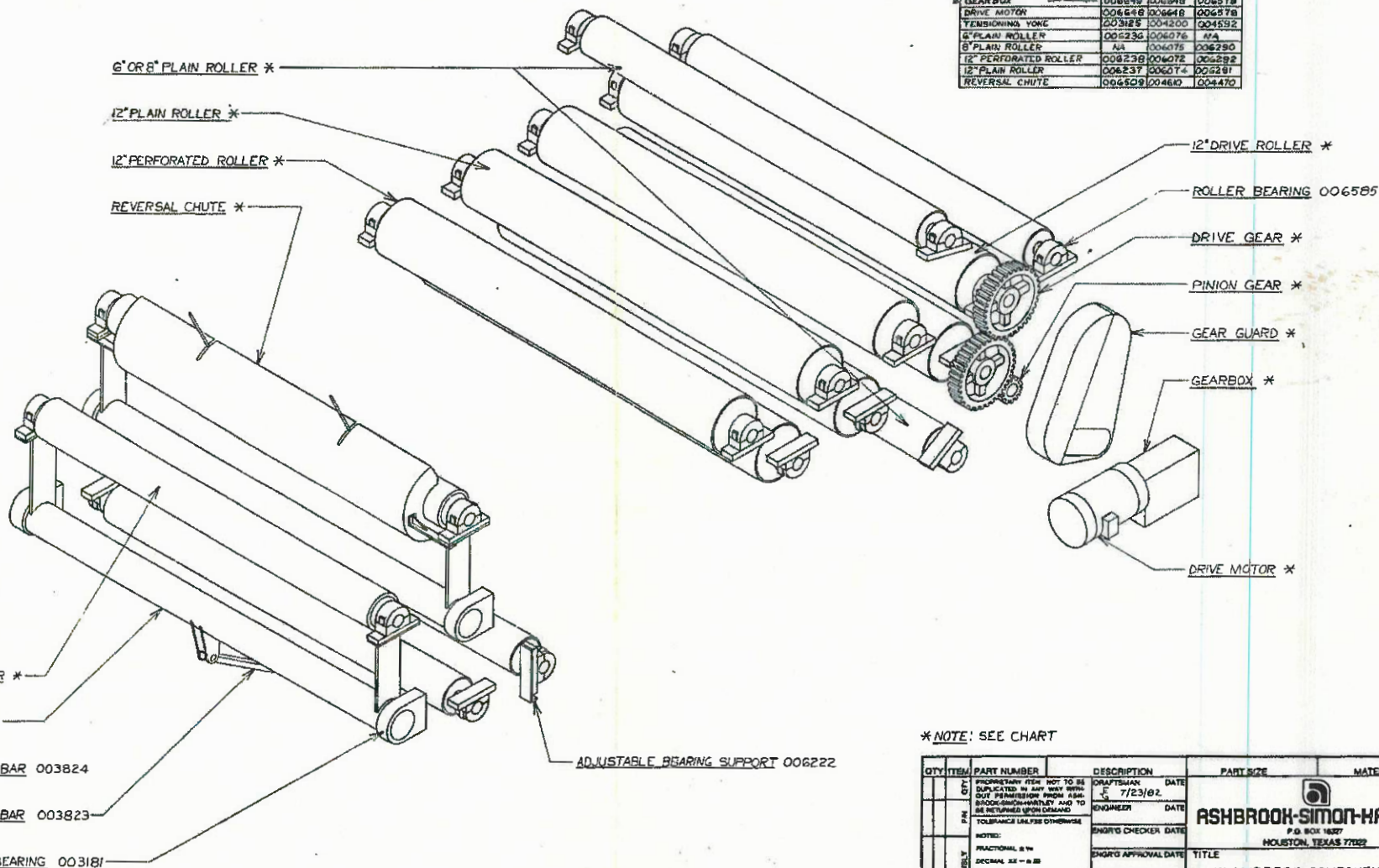
GENERAL ARRANGEMENT  
1.0 METER, 1.5 METER, 2.0 METER  
KIAMPRESS 85, 8/80

SCALE: 1/32  
GENERAL USE

DWG. NO. BK0004

SHEET 3

ITEM	PART NUMBER		
	SIZE 1	SIZE 2	SIZE 3
12" DRIVE ROLLER *	006230	006073	006203
DRIVE GEAR *	006151	006651	006561
PINION GEAR *	006480	006460	006580
GEAR GUARD *	004787	004787	006588
GEARBOX *	006648	006648	006578
DRIVE MOTOR *	006648	006648	006578
TENSIONING YOKE *	003185	004200	004592
6" PLAIN ROLLER *	006236	006076	NA
8" PLAIN ROLLER *	NA	006075	006290
12" PERFORATED ROLLER *	008238	006072	006292
12" PLAIN ROLLER *	006237	006074	006281
REVERSAL CHUTE *	006509	004660	004470

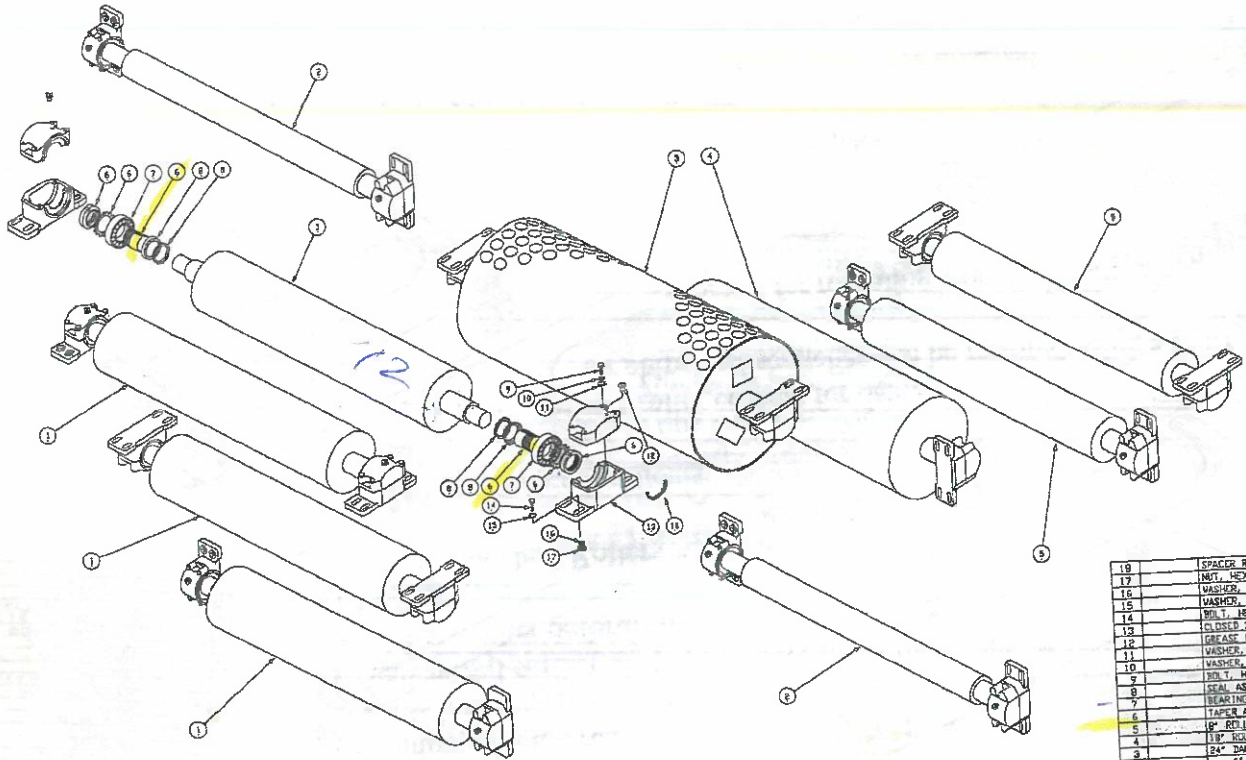


\* NOTE: SEE CHART

- 6" OR 8" PLAIN ROLLER \*
- TENSIONING YOKE \*
- UPPER TENSIONING BAR 003824
- LOWER TENSIONING BAR 003823
- TENSIONING YOKE BEARING 003181

QTY	ITEM	PART NUMBER	DESCRIPTION	PART SIZE	MATERIAL	WT
NOTES:			DRAFTSMAN DATE 7/23/82 ENGINEER DATE ENGRD CHECKER DATE ENGRD APPROVAL DATE RELEASED DATE SCALE: NTS TOTAL WT:      LBS      OZ ALL DIMENSIONS IN INCHES			
FRACTIONAL - 8/16 DECIMAL XX - 0.00 X * = 1.000 - 0.015 ANGLES - 8 W SLOTTED SURFACES 1/32" MAX ALL DIMENSIONS IN INCHES			ASHBROOK-SIMON-HARTLEY P.O. BOX 1687 HOUSTON, TEXAS 77022 TITLE KLAMPRESS COMPONENTS DRAWING NUMBER KPX2-250269 REV. 3/5			

REV. 2



19	SPACER BOLT
18	NUT, HEX 1/2"
16	WASHER, LOCK 1/2"
15	WASHER, FLAT 1/2" X 1/8" THICK
14	BOLT, HEXHEAD 1/2" X 2 1/2" L.S.
13	CLOSED BEARING HOUSING
12	GREASE FITTING 1/8"
11	WASHER, FLAT 1/2"
10	WASHER, LOCK 1/2"
9	BOLT, HEXHEAD 1/2" X 2 1/2" L.S.
8	SEAL ASSEMBLY 2 3/4"
7	BEARINGS
6	TAPER ADAPTER
5	1 1/2" ROLLER
4	24" SANDY ROLLER
3	6" BELT GUIDE ROLLER
2	1 1/2" ROLLER
1	

ITEM	PART NO.	DESCRIPTION	QTY.
1			
2			
3			
4			
5			
6			
7			
8			
9			
10			
11			
12			



Astrobook Corporation Phone: 281-449-1822  
 11000 East Berry Road P.O. Box 1824  
 Houston, Texas 77060 TX: 281-449-1824  
 TITLE: STANDARD ROLLER ASSEMBLY  
 KIAMPRESS  
 MODEL 1985  
 DATE: N/A  
 DRAWING: N/A  
 SK000973 0

18082966188

22213 LBK-3

65S LB22L-0

450a  
20200ku

Belt  
Press  
#2

Handwritten signature/initials in a circle.